

SMD Ferrite Chip Inductors - MS2012LC SERIES



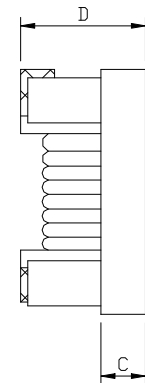
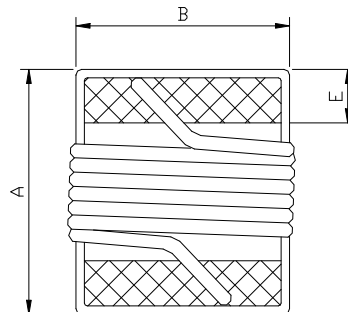
PART NUMBERING SYSTEM

MS	2012LC	—	1R5K	—	LF
TYPE	DIMENSIONS		INDUCTANCE		LEAD FREE

FEATURES :

1. Low profile 1.40mm max. (1.30mm typ.)
2. MS2012LC products conforms to the standards that are slated to be introduced under the RoHS Directive.
3. Applications for Audio-visual equipment , cable modems , ADSL , mobile base stations .

SHAPES AND DIMENSIONS

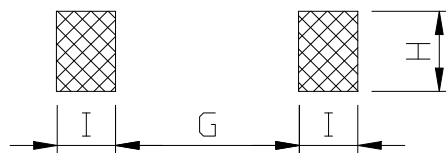


UNIT : mm

A=2.4 Max. B=1.65 Max. C=0.65 Ref. D=1.3 Max. E=0.44±0.1

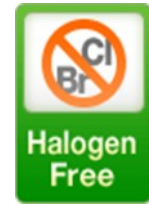
RECOMMENDED PATTERNS

UNIT : mm



G=0.76 H=1.78 I=1.02

SMD Ferrite Chip Inductors - MS2012LC SERIES



SPECIFICATION TABLE

PART NUMBER	INDUCTANCE (uH)	TOLERANCE	Q. MIN.	SRF (MHz) MIN.	DCR (Ω) (Typ.)	IDC (mA) (max)
MS2012LC-1R0□-LF	1.0@7.9MHz	J, K, M	14@7.9MHz	208	0.13	1100
MS2012LC-1R5□-LF	1.5@7.9MHz	J, K, M	14@7.9MHz	159	0.17	920
MS2012LC-1R8□-LF	1.8@7.9MHz	J, K, M	14@7.9MHz	112	0.20	860
MS2012LC-2R2□-LF	2.2@7.9MHz	J, K, M	13@7.9MHz	87	0.22	740
MS2012LC-2R7□-LF	2.7@7.9MHz	J, K, M	13@7.9MHz	72	0.25	680
MS2012LC-3R3□-LF	3.3@7.9MHz	J, K, M	12@7.9MHz	70	0.28	620
MS2012LC-3R9□-LF	3.9@7.9MHz	J, K, M	14@7.9MHz	61	0.38	580
MS2012LC-4R7□-LF	4.7@7.9MHz	J, K, M	14@7.9MHz	51	0.42	520
MS2012LC-5R6□-LF	5.6@7.9MHz	J, K, M	12@7.9MHz	47	0.50	480
MS2012LC-6R8□-LF	6.8@7.9MHz	J, K, M	14@7.9MHz	46	0.68	420
MS2012LC-8R2□-LF	8.2@7.9MHz	J, K, M	13@7.9MHz	33	0.73	400
MS2012LC-100□-LF	10@2.5MHz	J, K, M	14@2.5MHz	31	0.85	360
MS2012LC-120□-LF	12@2.5MHz	J, K, M	14@2.5MHz	30	0.90	340
MS2012LC-150□-LF	15@2.5MHz	J, K, M	15@2.5MHz	28	1.40	300
MS2012LC-180□-LF	18@2.5MHz	J, K, M	15@2.5MHz	27	1.55	280
MS2012LC-220□-LF	22@2.5MHz	J, K, M	15@2.5MHz	20	1.76	240
MS2012LC-270□-LF	27@2.5MHz	J, K, M	15@2.5MHz	17	2.00	220
MS2012LC-330□-LF	33@2.5MHz	J, K, M	15@2.5MHz	17	2.35	200
MS2012LC-470□-LF	47@2.5MHz	J, K, M	14@2.5MHz	15	3.40	160
MS2012LC-680□-LF	68@2.5MHz	J, K, M	14@2.5MHz	10	4.45	140
MS2012LC-101□-LF	100@1.0MHz	J, K, M	10@1.0MHz	9	7.50	100

※ Inductance, Q and SRF are measured in HP-E4991A impedance analyzer with HP-16197A fixture.

※ Inductance Tolerance : J=5%, K=10%, M=20%.

※ RDC is measured in Chroma 16502 mill ohm meter.(or equivalent)

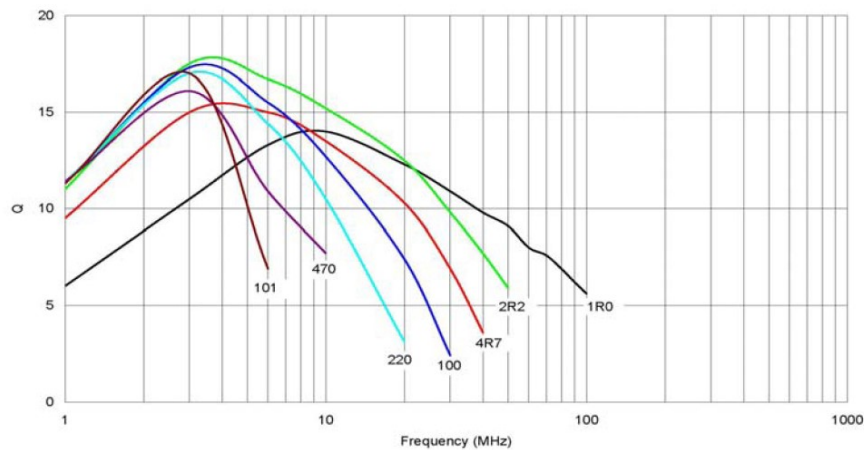
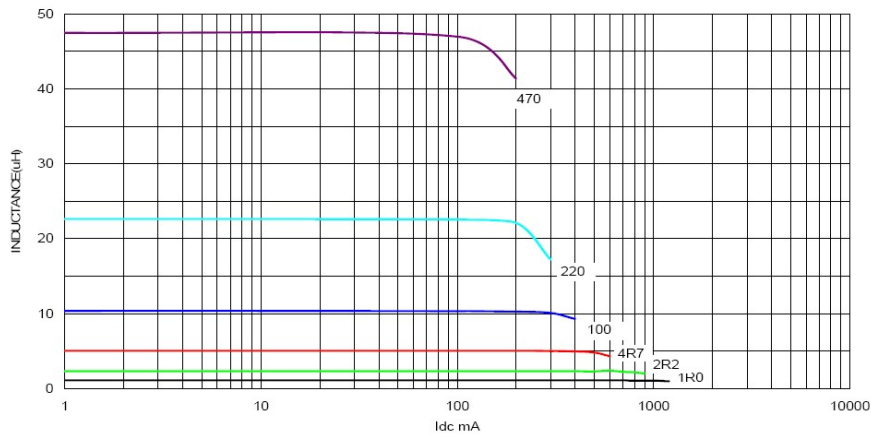
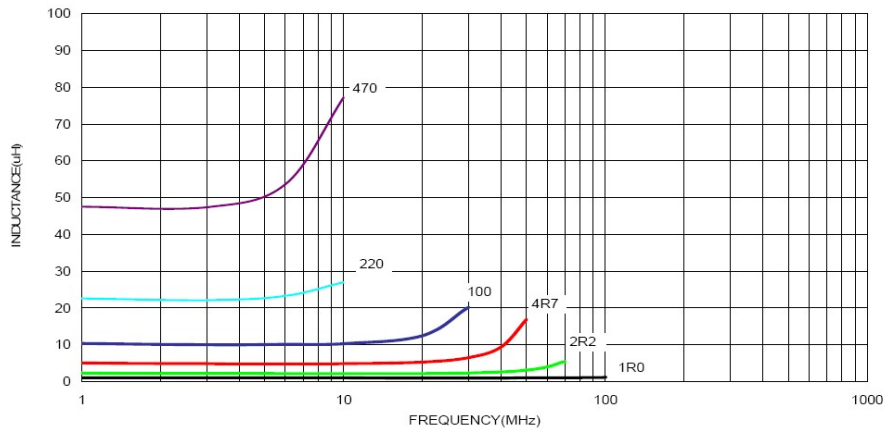
※ IDC For inductance drop 10% from it's value without current .



SMD Ferrite Chip Inductors - MS2012LC SERIES



CURVE

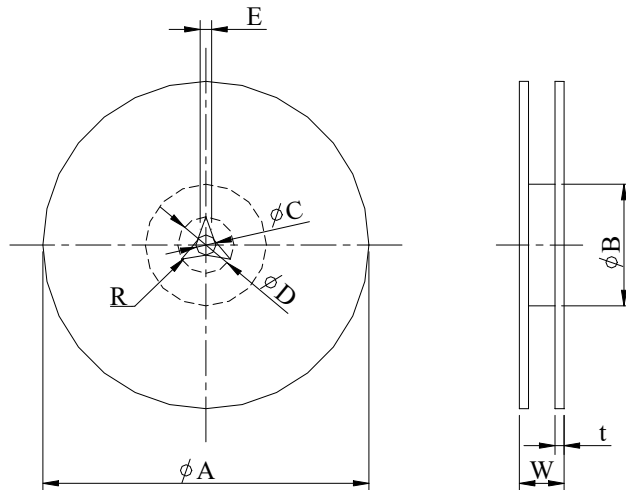




SMD Ferrite Chip Inductors - MS2012LC SERIES



PACKAGING SPECIFICATION



	A	B	C	D	E	W	t	R
T(ψ 180mm) Reel	ψ 180	ψ 60	ψ 13	—	—	14.4	—	—

TYPE	Reel/pcs	P	Po	P2	t	D
MS2012LC	2000	4	4	2	1	8